



**SpanSet Australia Ltd**

150 Old Bathurst Road  
Emu Plains  
NSW 2750  
Australia

**Telephone**

+61 2 4735 3955

**Fax**

+61 2 4735 3630

**Email**

sales@spanset.com.au

**Internet**

www.spanset.com.au

# WaterWorks Corrosion Resistant Lanyards

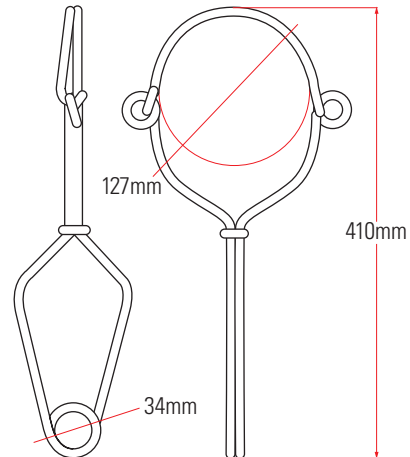
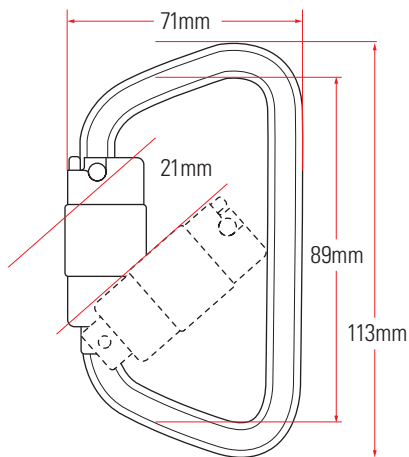


3053 WW K4



3055 WW

Code	Type	Material	Length	Fitting at Shock Absorber	Fitting at Free End	Weight
<b>3053 WW K4</b>	Single Leg	30kN 44mm Polyester Webbing	1.8m	K4 Stainless Steel Triple Action Karabiner	K4 Stainless Steel Triple Action Karabiner	1040g
<b>3055 WW</b>	Single Leg	30kN 44mm Polyester Webbing	1.8m	K4 Stainless Steel Triple Action Karabiner	RF17 Manulink	1207g



## Training Courses

### Height Safety

Working Safely at Height  
Working Safely at Heights Refresher  
Height Safety Supervisor\*  
Height Safety Manager\*

### Rescue

Rescue Systems Operator\*  
Vertical Rescue\*  
Tower and Pole Rescue\*  
Wind Access Rescue Technician\*  
EWP Emergency Escape  
Gotcha Rescue

### Confined Space

Confined Space\*  
Confined Space - Refresher\*  
Breathing Apparatus\*  
Confined Space Non-Entry Rescue\*

### Inspection

Competent Person Practical  
Inspection and Record Keeping\*



## SpanSet Accreditations

ISO 9001:2008 Certified Quality Management System

ISO 14001:2004 Certified Environment Management System

OHSAS 18001:2007 Certified Occupational Health and Safety Management Systems

Australian/New Zealand Standard 4801:2001 certified Occupational Health and Safety Management Systems

5 Tick Certified Product

Accredited Laboratory Tested by NATA to ISO/IEC 17025

ASQA Registered Training Organisation certified to ISO 9001:2008

Certified manufacturer to AS/NZS 1891.1  
"Industrial Fall Arrest Systems and Devices"

Certified manufacturer to AS/NZS 1353.1  
"Flat Synthetic Webbing Slings"

Certified manufacturer to AS/NZS 4497.1  
"Round Slings—Synthetic Fibre"

[www.spanset.com.au](http://www.spanset.com.au)

