

PLATE CLAMPS



Universal Plate Clamp



Horizontal Plate Clamp

The Challenger Plate Clamps are manufactured from high quality steel to guarantee the safety and durability required by industrial applications. They are suitable for the lifting and transferring of non-sagging steel plates in a vertical or horizontal position.

By choosing Challenger you directly support our community since we commit to make a donation for every product sold to the McGrath Foundation in Australia or the Child Cancer Foundation in New Zealand.

All Challenger products proudly support cancer charities in Australia & New Zealand.

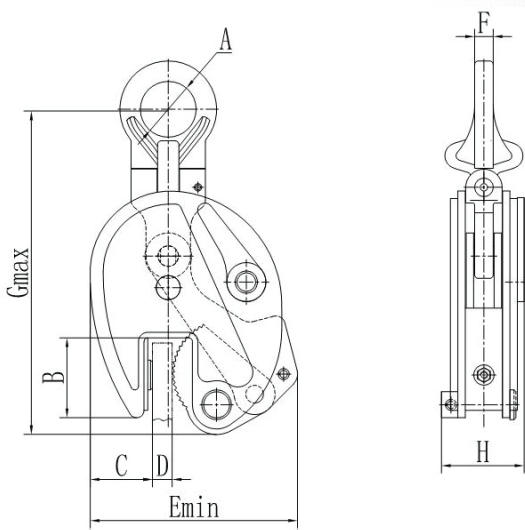
FEATURES

- The Challenger Plate Clamps are manufactured to comply with AS4991
- These clamps are ergonomically designed to improve the user experience. They are compact and light-weight without compromising the quality of the design.
- Suitable for the lifting and transferring of steel plates and other materials in a wide variety of industries such as; shipbuilding, construction, fabrication, manufacturing and off-shore applications.
- Great value for money
- 2 year warranty

PLATE CLAMPS

SPECIFICATIONS

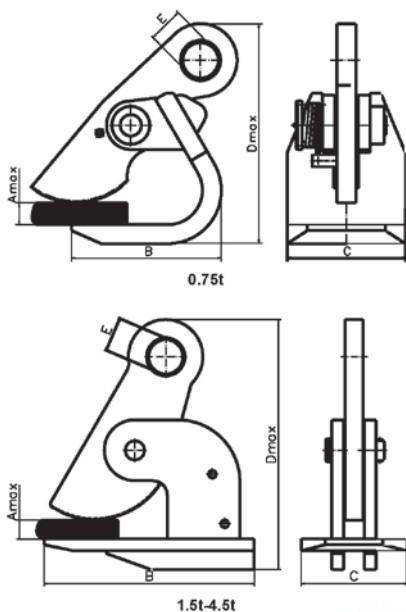
Challenger Universal Plate Clamp



Model	CCL110	CCL111	CCL112	CCL113	CCL115
Capacity (Kg)	500	1000	2000	3000	5000
Jaw (mm)	0 – 15	0 – 20	0 – 25	0 – 30	0 – 50
Dimensions (mm) A	φ30	φ48	φ68	φ74	φ80
B	43	63	78	85	100
C	34	50	61	57	66
D	0 – 17	0 – 22	0 – 27	0 – 32	0 – 52
Emin	106	145	174	207	240
F	10	12	16	20	24
Gmax	216	292	369	428	481
H	50	66	76	102	110
Net weight (Kg)	2	4.5	7.3	15	21.6

LOAD SHOULD NOT BE LESS THAN 10% RATED CAPACITY
SUITABLE FOR MATERIAL HARDNESS UP TO 37RC

Challenger Horizontal Plate Clamp



Model	CCL121	CCL122	CCL123	CCL124
Capacity per unit (Kg)	750	1500	2500	4500
Capacity per pair (Kg)	1500	3000	5000	9000
Jaw (mm)	0 – 50	0 – 50	0 – 60	0 – 100
Dimensions (mm) Amax	50	50	60	100
B	127	220	260	290
C	100	110	130	165
Dmax	218	270	315	425
E	φ30	φ36	φ40	φ40
Net weight per unit (Kg)	4.1	7.4	13.8	28.6
Net weight per pair (Kg)	8.2	14.8	27.6	57.2